

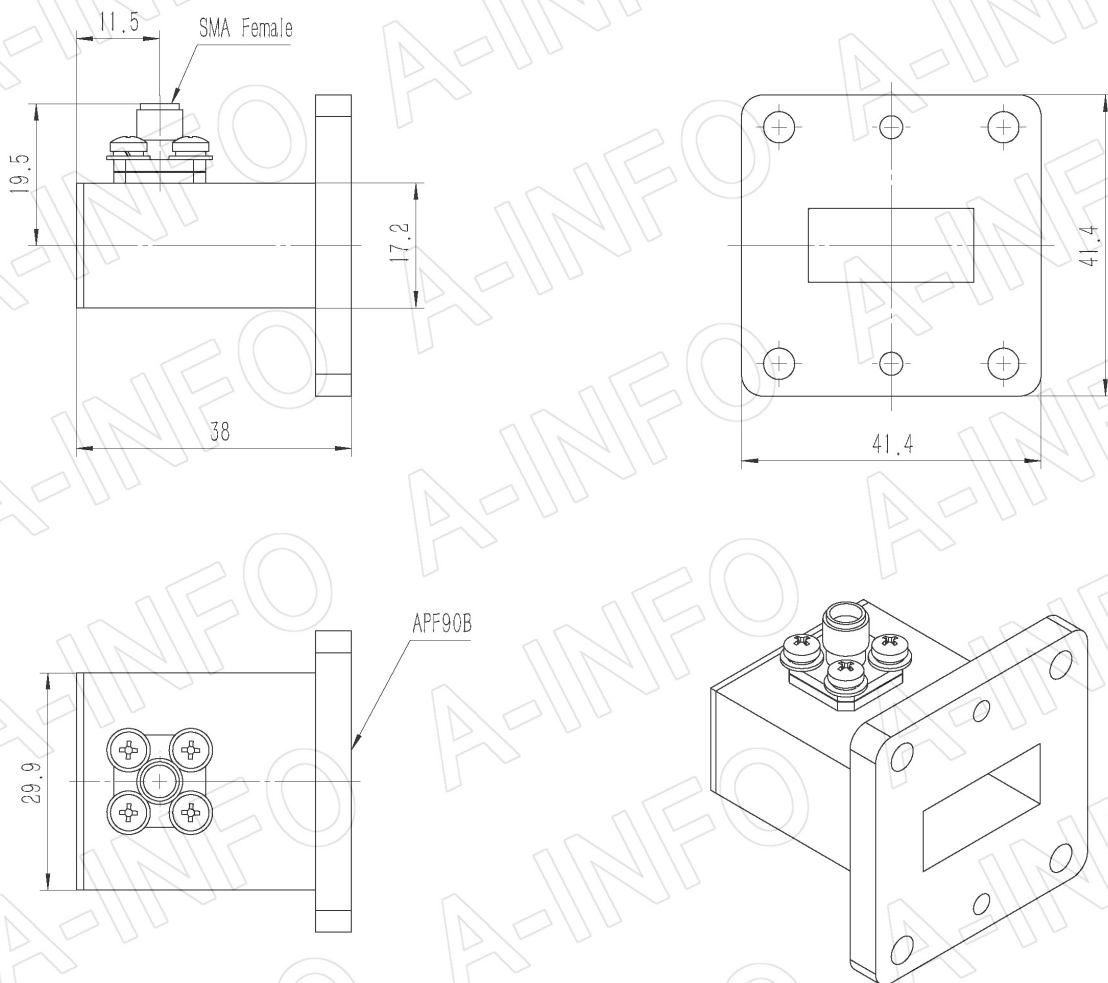
For reference only. See data sheet for the detailed specifications.

## Technical Specification

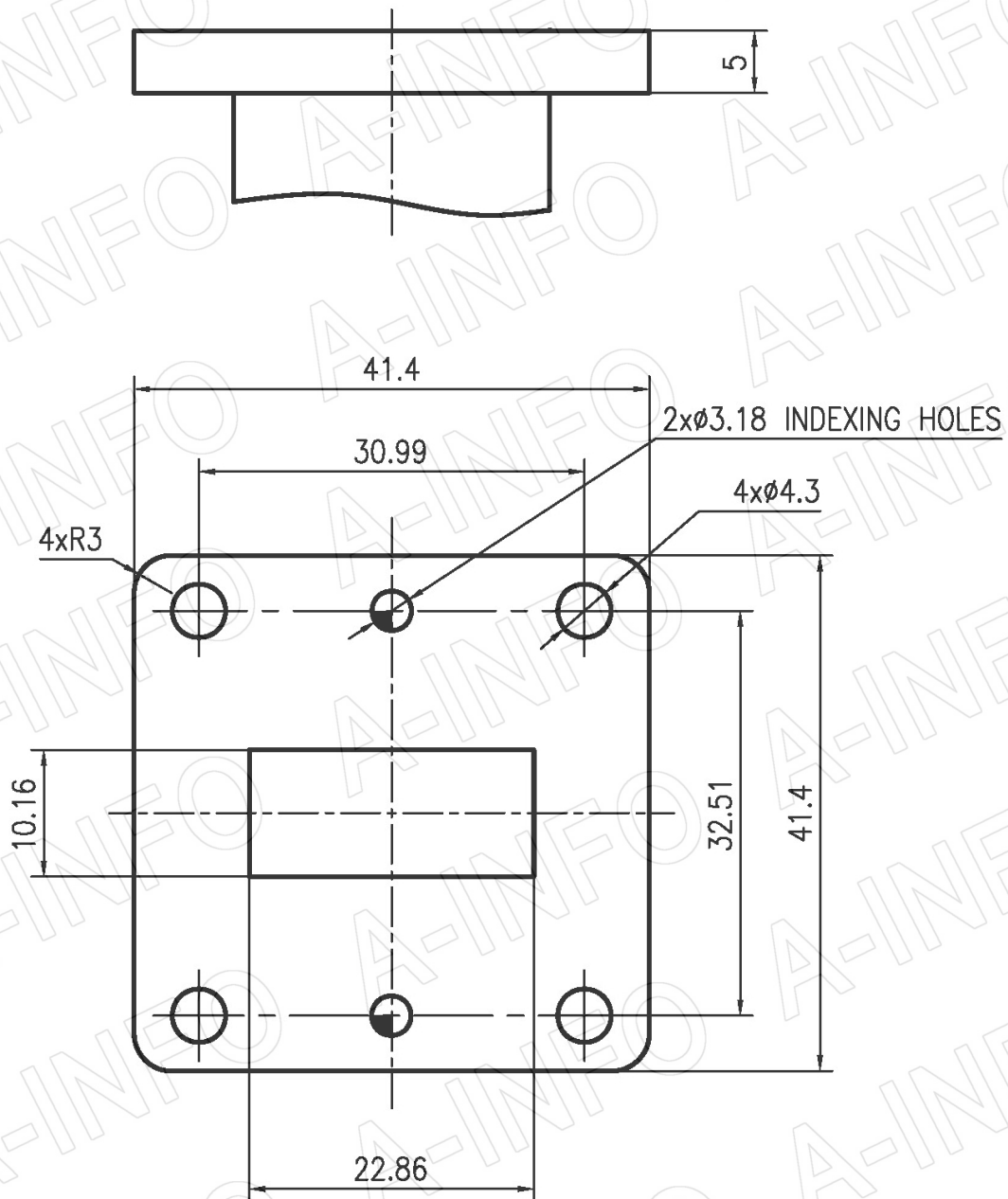


EIA WR	WR90
Frequency Range(GHz)	8.2 – 12.4
Insertion Loss(dB)	0.23 Max.
VSWR	1.25:1 Max.
Flange	APF90B
Connector	SMA-Female
Average Power(W CW)	50 Max.
Peak Power(KW)	3
Material	Al
Finish	Chemical Conversion Coating, Gray Paint
Size(mm)	38 x 41.4 x 41.4
Net Weight(Kg)	0.06 Around

## Outline Drawing (Size: mm)



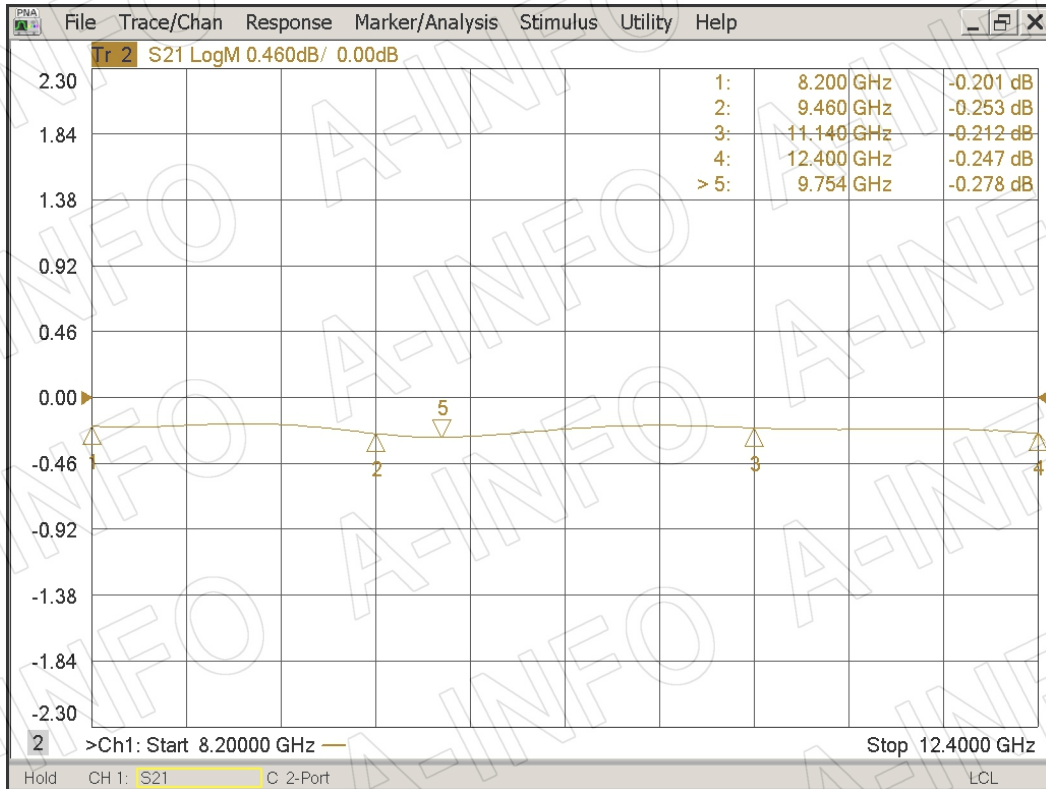
## Flange Drawing (Size: mm)



**APF90B**

## Test Results

I.L.(Test with two adapters back to back)



## VSWR

